



LE-K, LE-K-M SERIES NOISE SUPPRESSION CAPACITOR



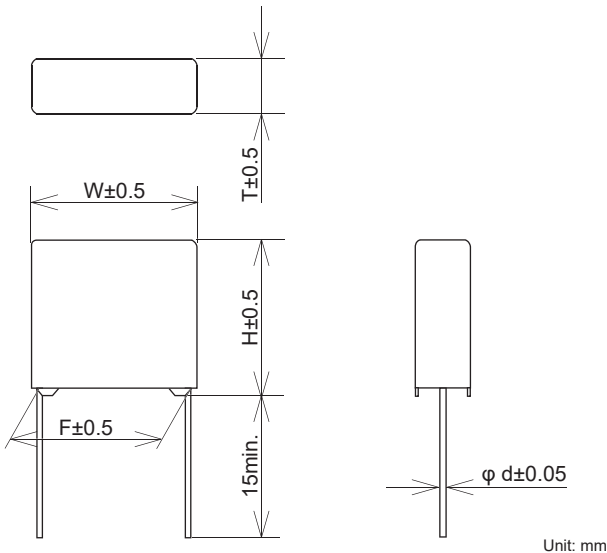
Features

- Rated voltage 300Vac, class X2 series
- Tolerance of capacitance $\pm 10\%$ (LE-K), $\pm 20\%$ (LE-K-M)
- High capacitance 1.5~10 μ F

Applications

- Designed mainly for suppressing noise occurring in power line of electrical appliances

Dimensions

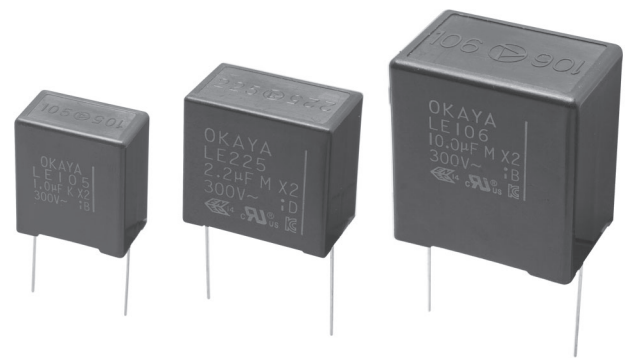


Safety Standard		File No.*1
UL	:UL60384-14	E47474
cUL	:CSA E60384-14	E47474
ENEC/SEMKO	:IEC/EN 60384-14	SE/0142-1AF
KC	:KC60384-1/KC60384-14	HU03005-*2

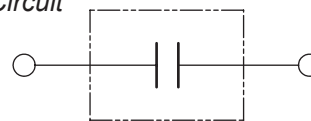
The "ENEC" mark is a common European product certification mark based on testing to harmonised European safety standard. The mark with #14 stands for SEMKO.

*1 File No. may be revised without notice. Please contact us at the time of your request for certifications.

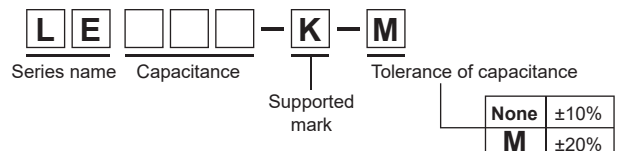
*2 End of the KC File No. varies by capacitance and production site.



Circuit



Model numbering system



Electrical Specifications

Rated Voltage **300Vac**

Safety Standard	Class	Model Number	Capacitance μ F $\pm 10\%$	Dimensions					Dissipation Factor	Test Voltage	Insulation Resistance
				W	H	T	F	d			
	X2	LE155-K	1.5	25.5	28.0	16.0	22.5	0.8	0.002max. (f=1kHz)	Line to Line Cs $\leq 3\mu$ F 1,250Vac 50/60Hz 60sec C $\geq 4.7\mu$ F 1,770Vdc 60sec Line to Case 2,100Vac 50/60Hz 60sec	Line to Line 5,000 Ω •Fmin. (at 100Vdc) Line to Case 100,000 Ω min (at 100Vdc)
		LE225-K	2.2		32.0	20.5					
		LE335-K	3.3		35.5	21.5					
		LE475-K	4.7	31.0	40.0	26.0	27.5				
		LE685-K	6.8								
		LE106-K	10.0	46.5	43.5	31.0	42.5				

Safety Standard	Class	Model Number	Capacitance μ F $\pm 20\%$	Dimensions					Dissipation Factor	Test Voltage	Insulation Resistance
				W	H	T	F	d			
	X2	LE155-K-M	1.5	30.5	24.5	15.0	27.5	0.8	0.002max. (f=1kHz)	Line to Line Cs $\leq 3\mu$ F 1,250Vac 50/60Hz 60sec C $\geq 4.7\mu$ F 1,770Vdc 60sec Line to Case 2,100Vac 50/60Hz 60sec	Line to Line 5,000 Ω •Fmin. Line to Case 100,000 Ω min (at 100Vdc)
		LE225-K-M	2.2		28.0	18.0					
		LE335-K-M	3.3		38.0	18.5					
		LE475-K-M	4.7	41.0	31.0	21.0	37.5				
		LE685-K-M	6.8								
		LE106-K-M	10.0	43.0	28.0	1.0					

Operating Temperature: -55~+100°C