



**Features**

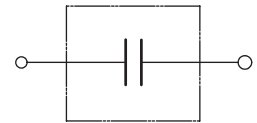
- Space-saving, high permissible current, low buzzing
- High reliability for proprietary-structure
- Correspondence of passive flammability (Flame-resistant category B)  
Volume:  $\geq 1750\text{mm}^3$  [Capacitance:  $\geq 1.0\mu\text{F}$ ]
- Adopting for box type of casing,
  - High withstand voltage between line and case (2500Vac /1min.)
  - Stabile design for mounting on a board

**Applications**

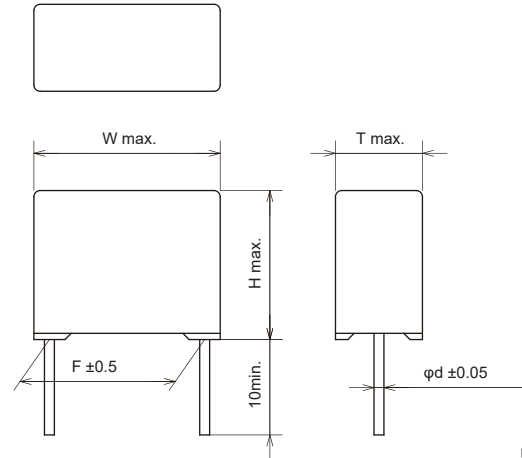
- PFC circuit of electrical equipment
- Flat-TV, PC, LED lighting etc.



• Circuit

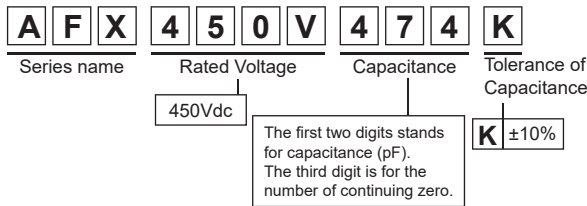


• Dimensions



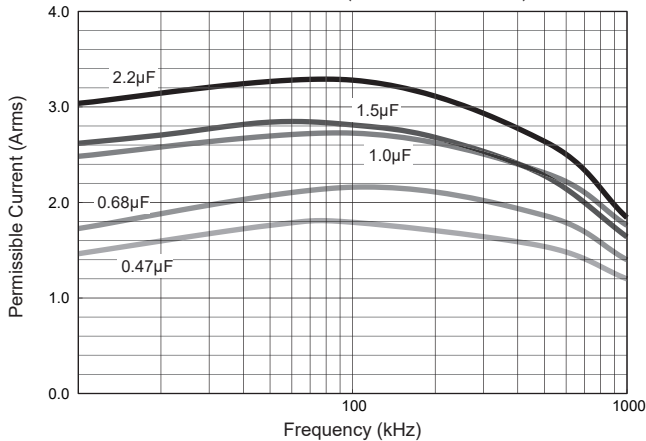
Unit: mm

• Model numbering system

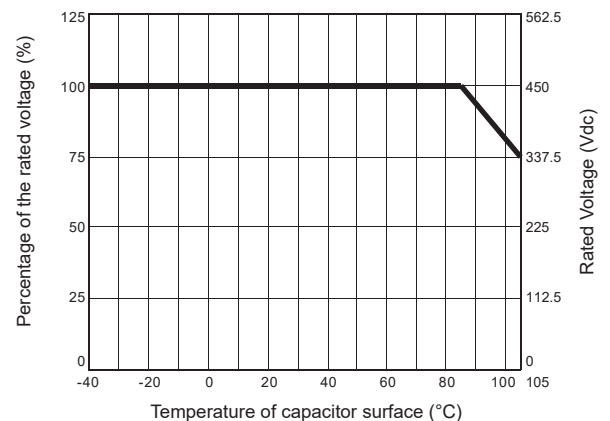


• Permissible current data

AFX450V series (Reference Value)



• Voltage derating by temperature



**Electrical Specifications**

Rated Voltage	Model Number	Capacitance $\mu\text{F}\pm 10\%$	Dimensions (mm)					Dissipation Factor (at 1kHz)	Test Voltage $\times 1.5\text{Vdc}$ (60sec)	Insulation Resistance (at 20°C, 100Vdc)
			W	H	T	F	$\phi d$			
450Vdc	AFX450V474K	0.47	15.0	12.0	7.0	12.5	0.6	0.002max.	Rated Voltage $\times 1.5\text{Vdc}$ (60sec)	7,500 $\Omega$ ·Fmin.
	AFX450V684K	0.68	15.0	13.5	8.5	12.5	0.6			
	AFX450V105K	1.0	15.5	14.5	9.5	12.5	0.8			
	AFX450V155K	1.5	17.5	15.5	10.5	15.0	0.8			
	AFX450V225K	2.2	17.5	17.0	12.5	15.0	0.8			

It is possible to use from more than 85°C to 105°C by derating of rated voltage.

Operating Temperature: -40~+105°C