



**Features**

- Three-phase filter delta (250Vac)
- The capacitance of Y cap is selectable

**Applications**

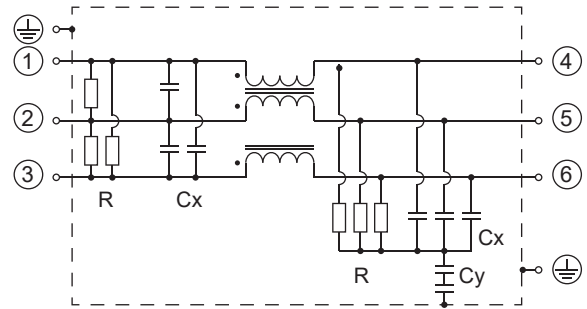
- Inverter power supplies, UPS, NC controlled machineries



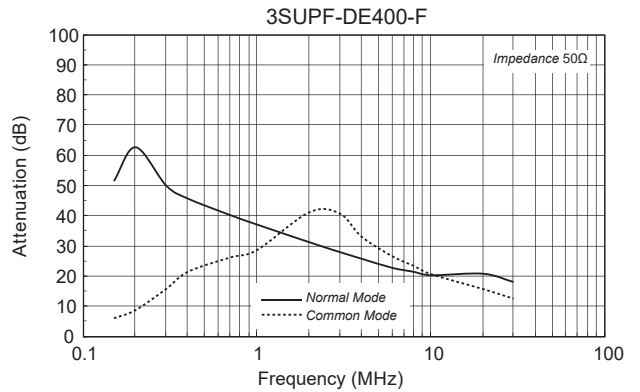
Safety Standard	File No.*
UL :UL-1283	E78644
cUL :CSA C22.2 No.8	
ENEC :EN60939-3	SE-ENEC-2201018R1

The "ENEC" mark is a common European product certification mark based on testing to harmonised European safety standard.  
\*File No. may be revised without notice. Please contact us at the time of your request for certifications.

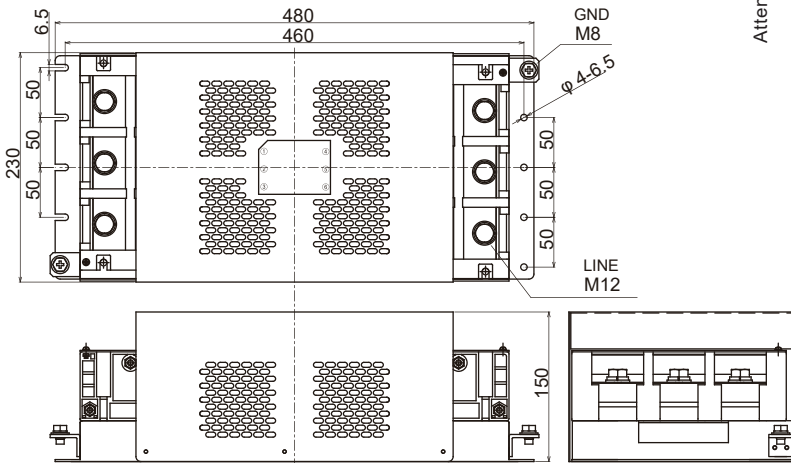
• **Circuit**



• **Static characteristics (Representative example)**



• **Dimensions**



Unit: mm

**Electrical Specifications**

Rated Voltage **250Vac**

Safety Standard	Model Number*1	Rated Current (A)	Test Voltage *2	Insulation Resistance	Leakage Current *3 max.	Voltage Drop max.	Temperature Rise max.	Operating Temperature (°C)	Weight typ.(kg)
	3SUP□-DE400-F	400	Line to Case 2,500Vac 50/60Hz 60sec	Line to case 100MΩmin (at 500Vdc)	2.8mA (at 250Vac 60Hz)	1.0Vac	50K	-25 ~ +50 (Derating of current from 50 to 85°C)	10.5

□= F: Ferrite, H: High-u

\*1 Standard type \*2 Leakage current of Standard type \*3 Leakage current of standard type