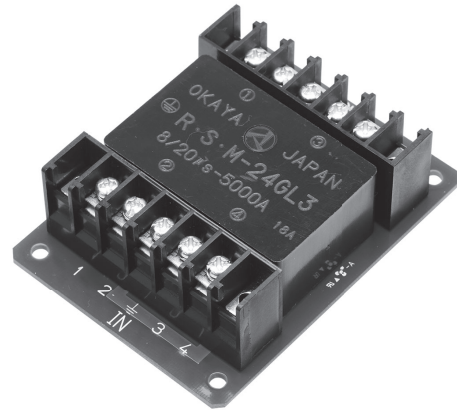


**Features**

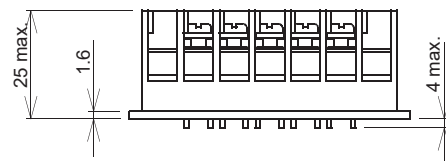
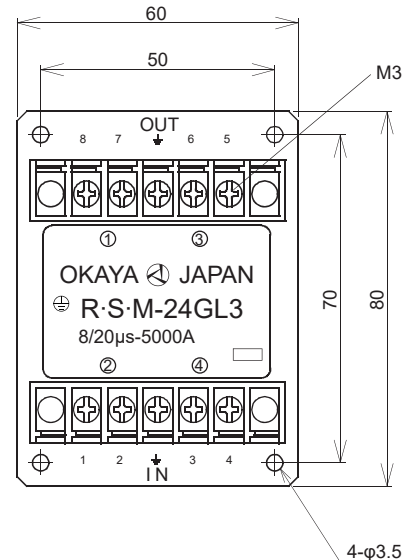
- SPD for data signal line and control line
- Compliance to JIS C 5381-2 and category C2/D1
- Impulse withstand current C2: 8/20 $\mu$ s-5kA  
D1: 10/350 $\mu$ s-2.5kA
- Longer impulse current life and higher impulse withstand current than old R-S-M-RL

**Applications**

- Data processing machine and control machine with communication signal line
- LED light dimmer
- Fire alarm apparatus system
- Security camera
- Outdoor display unit

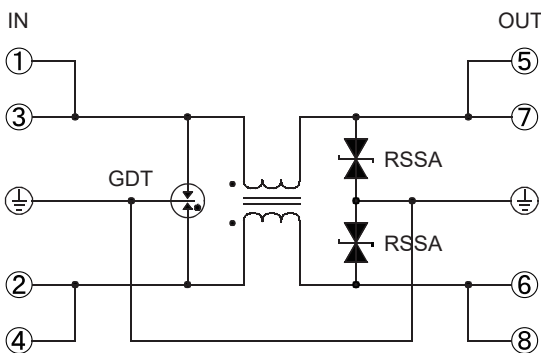


• *Dimensions*



Unit: mm

• *Circuit*



**Electrical Specifications**

	Model Number			R-S-M-5GL3-PT	R-S-M-12GL3-PT	R-S-M-24GL3-PT	R-S-M-48GL3-PT
	In	Out	Class				
Rated Voltage	1,3 / 2,4	5,7 / 6,8	-	DC5.0V	DC12.0V	DC24.0V	DC48.0V
Max. Continuous Operating Voltage	1,3/2,4	5,7 / 6,8	-	DC6.63V	DC14.5V	DC26.8V	DC55.1V
Rated Current	1,3 / 5,7 / 2,4 / 6,8			3A			
Residual Voltage (representative value) 1.2/50 $\mu$ s-8/20 $\mu$ s, 10kV-5kA	6,7- $\frac{1}{2}$	-	-	30V	60V	70V	100V
Impulse Discharge Current	1,2,3,4- $\frac{1}{2}$	-	Category C2	8/20 $\mu$ s-5kA, 5 times for each positive and negative			
			Category D1	10/350 $\mu$ s-2.5kA, 1 time for each positive and negative			
Impulse Life Test	1,2,3,4- $\frac{1}{2}$	-	Category C3(B1/B3)	10/1,000 $\mu$ s-100A, 300times			
			Category B2	5/300 $\mu$ s(10/700 $\mu$ s)-100A, 300times			
			Category C1	8/20 $\mu$ s-500A, 300times			

Operating Temperature: -20~+60°C