

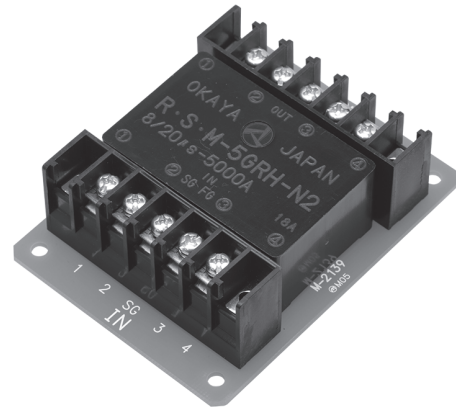


**Features**

- SPD for data signal line and control line
- Compliance to JIS C 5381-2 and category C2/D1
- Impulse withstand current C2: 8/20 $\mu$ s-5kA  
D1: 10/350 $\mu$ s-2.5kA
- R·S·M-GL3 series 2 lines in 1 package

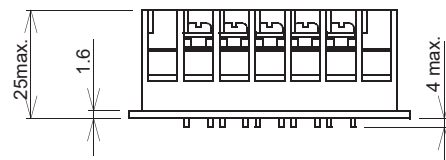
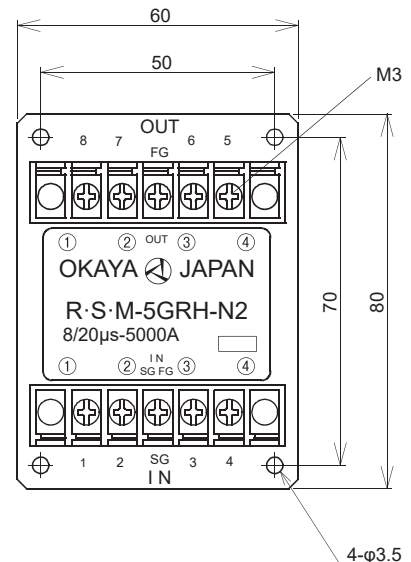
**Applications**

- Data processing machine and control machine with communication signal line
- LED light dimmer
- Fire alarm apparatus system
- Security camera
- Outdoor display unit



• *Dimensions*

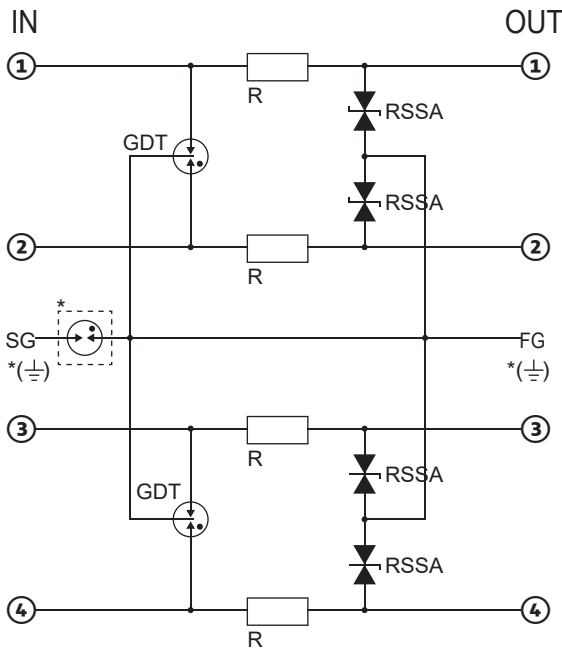
R·S·M-5GRH-PTN2



Unit: mm

• *Circuit*

R·S·M-5GRH-PTN2



\*R·S·M-GRH-PTN series

**Electrical Specifications**

	Model Number			R·S·M-5GRH-PTN	R·S·M-12GRH-PTN	R·S·M-24GRH-PTN	R·S·M-48GRH-PTN
	In	Out	Class	R·S·M-5GRH-PTN2	R·S·M-12GRH-PTN2	R·S·M-24GRH-PTN2	R·S·M-48GRH-PTN2
Max. Continuous Operating Voltage	1/2/3/4	1/2/3/4	-	DC6.63V	DC14.5V	DC26.8V	DC55.1V
Rated Current	1-1 / 2-2 / 3-3 / 4-4	1-1 / 2-2 / 3-3 / 4-4	-	0.5A			
Resistance between input and output	1-1 / 2-2 / 3-3 / 4-4	1-1 / 2-2 / 3-3 / 4-4	-	2.7 $\Omega$			
Residual Voltage (representative value) 1.2/50 $\mu$ s-8/20 $\mu$ s, 10kV-5kA	①, ②-SG/FG ③, ④-SG/FG	-	-	30V	60V	70V	100V
Impulse Discharge Current	*(①, ②- $\frac{1}{2}$ ) (③, ④- $\frac{1}{2}$ )	-	Category C2	8/20 $\mu$ s-5kA, 5 times for each positive and negative			
			Category D1	10/350 $\mu$ s-2.5kA, 1 time for each positive and negative			
Impulse Life Test		-	Category C1	8/20 $\mu$ s-500A, 300times			

Operating Temperature: -20~+60°C

\*In case of R·S·M-GRH-PTN, SG/FG becomes common ground.