



3SUPF-DH (80~300) SERIES

NOISE FILTERS



Features

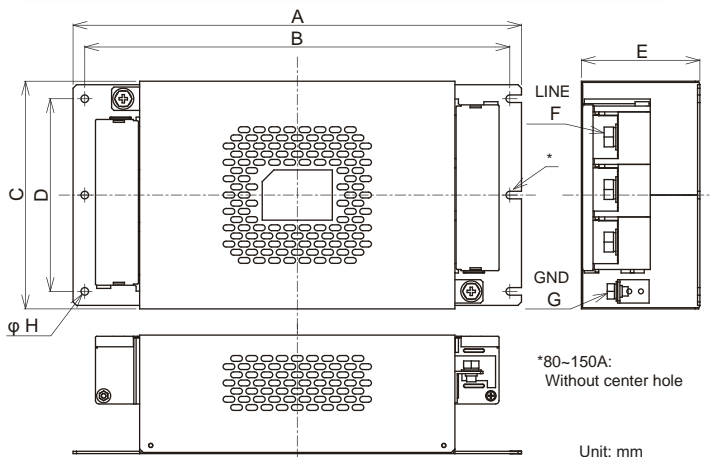
- Low Profile
- Three phase filter delta (500Vac)
- The capacitance of Y cap is selectable

Applications

- Inverter power supplies, UPS, NC controlled machineries.



Dimensions



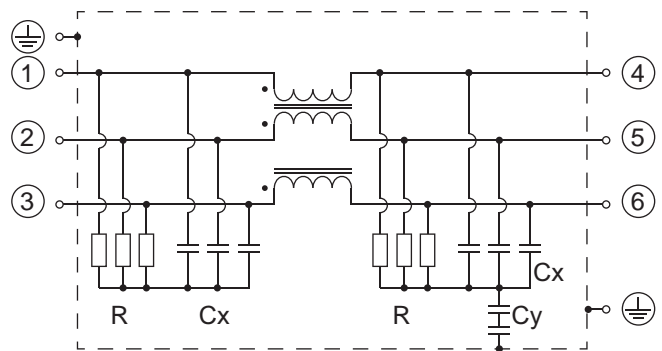
Model Number	Dimensions (mm)							
	A	B	C	D	E	F	G	H
3SUPF-DH80-F	273	257	160	135	85	M8	M6	6.5
3SUPF-DH100-F								
3SUPF-DH150-F	287	269	190	165	86	M8	M6	
3SUPF-DH200-F								
3SUPF-DH250-F	384	364	195	165	102	M10	M8	
3SUPF-DH300-F								



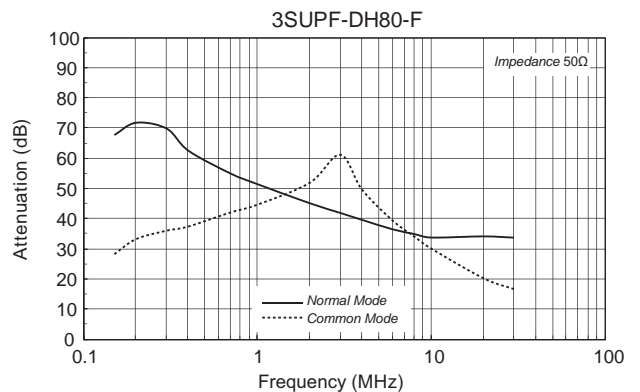
Safety Standard		File No.
UL	:UL1283	E78644
cUL	:C22.2, No.8-M1986	
SEMKO	:EN60939	SE/0142-35

The "ENEC" mark is a common European product certification mark based on testing to harmonised European safety standard.

Circuit



Static characteristics (Representative example)



Electrical Specifications

Rated Voltage **500Vac**

Safety Standard	Model Number*1	Rated Current (A)	Test Voltage *2	Insulation Resistance	Leakage Current *3 max.	Voltage Drop max.	Temperature Rise max.	Operating Temperature (°C)	Weight typ.(kg)
	3SUPF-DH80-F	80	Line to Case 2,500Vac 50/60Hz 60sec	Line to case 100MΩmin (at 500Vdc)	5.5mA (at 500Vac 60Hz)	1.0Vac	60K	-25 ~ +50 (Derating of current from 50 to 85°C)	4.2
	3SUPF-DH100-F	100							4.2
	3SUPF-DH150-F	150							6.0
	3SUPF-DH200-F	200							8.0
	3SUPF-DH250-F	250							8.0
	3SUPF-DH300-F	300							7.8

*1 Standard type *2 Leakage current of Standard type *3 Leakage current of standard type